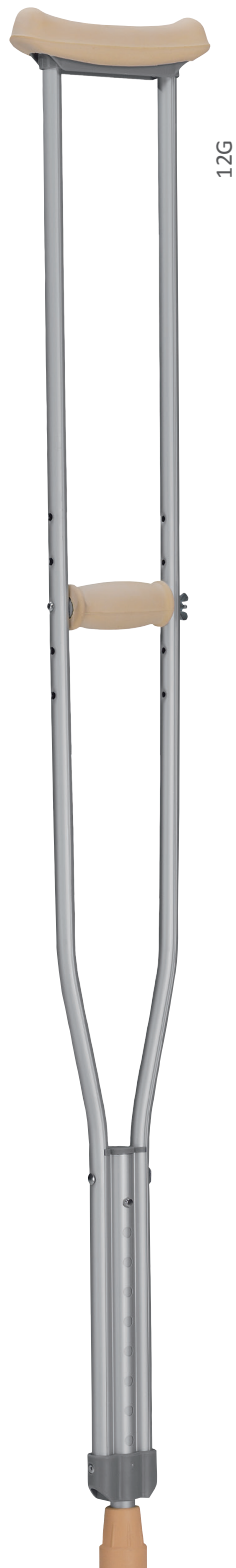


AXILA CRUTCHES FROM LIGHT METAL

UP TO 120 KG

KOWSKY

WIR GEHEN WEITER



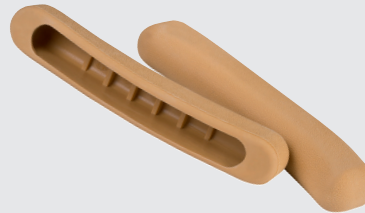
12G



12K

- Axila crutches made of light metal
- Tube silver anodized
- PU foam padding for armpit and handle (replaceable)

Article no. 162P



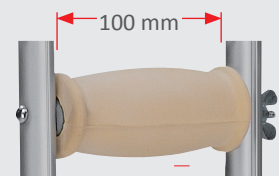
210 mm



Article no. 163P



5-fold height adjustable
with screw



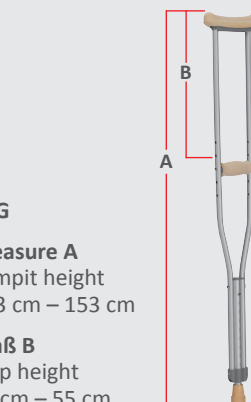
Inner-Ø 19 mm



Tread Ø 45 mm

Article no. 719gr

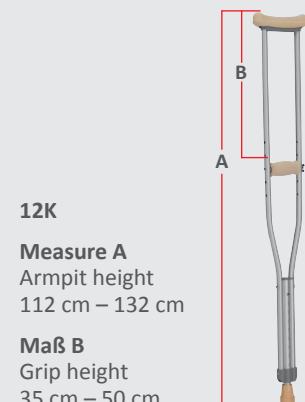
in the lower part 9-fold
height adjustable
by push button



12G

Measure A
Armpit height
133 cm – 153 cm

Maß B
Grip height
40 cm – 55 cm



12K

Measure A
Armpit height
112 cm – 132 cm

Maß B
Grip height
35 cm – 50 cm



MAX. load bearing capacity
up to 120 kg body weight



WEIGHT
950 g / Piece (Article 12G)
850 g / Piece (Article 12K)

Erwin Kowsky GmbH & Co. KG
Production and distribution of
orthopaedic products

Oderstraße 73
24539 Neumünster
Germany

Phone +49 (0) 43 21 - 99 57 0
Fax +49 (0) 43 21 - 99 57 57

Internet www.kowsky.de
E-Mail info@kowsky.de

We offer you exclusively products according to the guidelines of the Medical Devices Directive
. Furthermore we are certified according to DIN EN ISO 13485.

